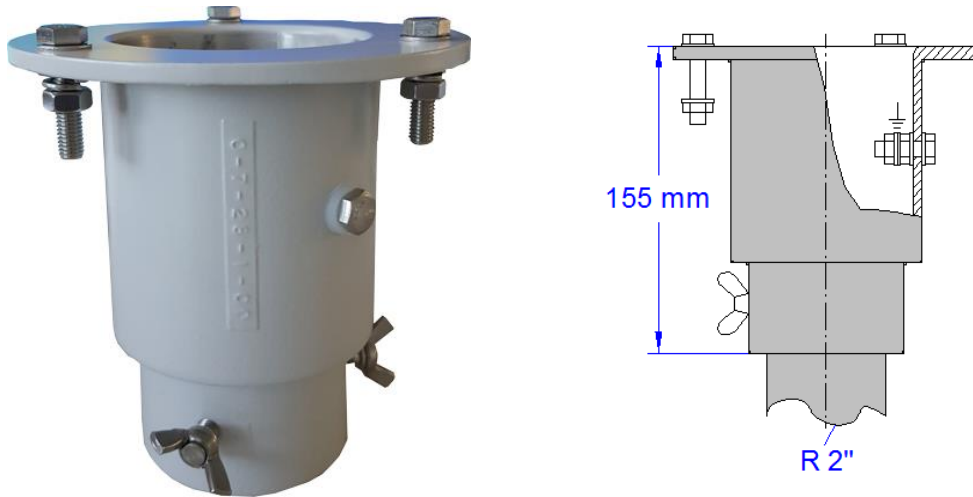


Product Information

Holder for Monopoles EAH 1

The holder EAH 1 is applicable for mounting aas.tech active monopole antennas of the STA series on the supporting pipe TR 10/E1 or other 2 " pipe.



Technical Data

Parameter	Technical Data
Dimension (h x d)	155 x 70/155 mm
Colour	RAL 7035
Weight	approx. 1,0 kg
Material	aluminum anodized
Mounting	3 wing screws M8

Design and specification are subject to change without prior notice, errors excepted.
 Data given without tolerance are typical values.

Scope of Supply

Pos.	Description
1	Holder for Monopoles EAH 1

Order Information

Type Designation	Part No. NSN	Description
EAH 1	0007.2800.00 ---	Holder for Monopoles, RAL 7035

Options

Option	Part No. NSN	Description
RAL Color Code	depends on RAL color code	Painting in RAL color according to customer specification

Associated Products

For integration into the application environment associated products are available.

Type Designation	Part No. NSN	Description
TR 10/E1	0007.3411.00	With the supporting mast TR 10/E1 the distance from ground to antenna base is 1 m. The TR 10/E1 is a lightweight mast (approx. 3.5 kg), colored RAL 7035 made of aluminum providing a height of 894 mm and internal N cable assembly. Doc. PIG 010502
TR 10/E	0007.3401.00	With the supporting mast TR 10/E the distance from ground to antenna base is 1 m. The TR 10/E is a general-purpose heavy-duty version (approx. 10 kg) made of hot-galvanized steel providing a height of 894 mm. Doc. PIG 010502
TR 20/E	0007.3403.00	With the supporting mast TR 20/E the distance from ground to antenna base is approx. 2 m. The TR 20/E is a general-purpose heavy-duty version (approx. 15 kg) made of hot-galvanized steel providing a height of 2000 mm. Doc. PIG 010502
TR 30/E	0007.3405.00	With the supporting mast TR 30/E the distance from ground to antenna base is approx. 3 m. The TR 30/E is a general-purpose heavy-duty version (approx. 20 kg) made of hot-galvanized steel providing a height of 3000 mm. Doc. PIG 010502

Compatible Active Receiving Antennas

The following active receiving antennas match ideally to be mounted on the EAH 1.

Type Designation	Part No.	Description
STA 10 Series	all types	Mounting an aas.tech active monopole antenna of the STA series with EAH 1 on the supporting pipe TR 10/E1 sets the antenna basement to a height of 1 m.
STA 5 Series	all types	Mounting an aas.tech active monopole antenna of the STA series with EAH 1 on the supporting pipe TR 10/E1 sets the antenna basement to a height of 1 m.
STA 2.5 Series	all types	Mounting an aas.tech active monopole antenna of the STA series with EAH 1 on the supporting pipe TR 10/E1 sets the antenna basement to a height of 1 m.
STA 20 Series	all types	Mounting an aas.tech active monopole antenna of the STA series with EAH 1 on the supporting pipe TR 10/E1 sets the antenna basement to a height of 1 m.

