

Product Information

Active Receiving Antenna STA 5 A/D/0.01-0.6

This antenna is an active monopole receiving antenna providing omnidirectional characteristics in the long-, medium-wave bands.

It covers the frequency range from 0.01 – 0.6 MHz.

Due to its small dimension and the very low radiation coupling, this active antenna is particularly qualified for mobile as well as stationary application under unfavorable localities.

An amplifier circuit directly connected to the base point of the antenna rod matches the high impedance of the rod to the low input impedance of the receiver or the connected coaxial cable.

The aas.tech active receiving antennas are fitted with amplifiers providing a high RF dynamic range to avoid degradation of the reception system characteristics.

A multistage protection circuit at the input of the active element ensures that the antenna electronics will not be damaged even in case of lightning strikes in immediate proximity.

Screw-on rods allows easy matching of the rod length to a wide variety of operating conditions.

Regarding the robust construction and the use of weatherproof materials our active antennas can be used under extreme environmental conditions.

The nominal operating voltage for the antenna is 39 Vdc. The AAN power supply series or an aas.tech Antenna Distribution System is used to feed the operating voltage to the active element via the coaxial cable.



Technical Data

Parameter	Data
Application	active monopole antenna
Characteristic	vertically polarized omnidirectional antenna
Color	light grey (similar RAL 7035)
Bending moment at mounting flange	1 daNm (wind speed 150 km/h)
Shock	50 g/10 ms
Vibration	4 – 12,5 Hz, amplitude = 1,6 mm 12,5 - 90 Hz, acceleration 10 m/s ²
Ambient temperature	-40°C...+70°C
Storage temperature	-55°C...+80°C
Relative humidity	100 %
EMP test	STANAG 4145
Lightning protection	500 kV/m/μs
RF connector	N socket
Supply voltage	39 Vdc through coaxial cable
MTBF	80.000 h (Tu=40°C)
MTTR	0,5 h (replacing of subunits)
Frequency range	0,01 – 0.6 MHz
Attenuation in stop band	≥ 60 dB (f > 900 kHz)
Output impedance	50 Ω VSWR ≤ 1,2
Effective height at 50 Ω	30 cm (tolerance ± 1 dB)
Equivalent noise field strength ⁽¹⁾ (limit of sensitivity B=1 Hz)	≤ 0,27 μV/m
Sensitivity ⁽¹⁾ (B=3 kHz, S/N=10 dB)	≤ 46,7 μV/m
Max. tolerable field strength (1dB reduction of gain) ⁽¹⁾	7,5 V/m

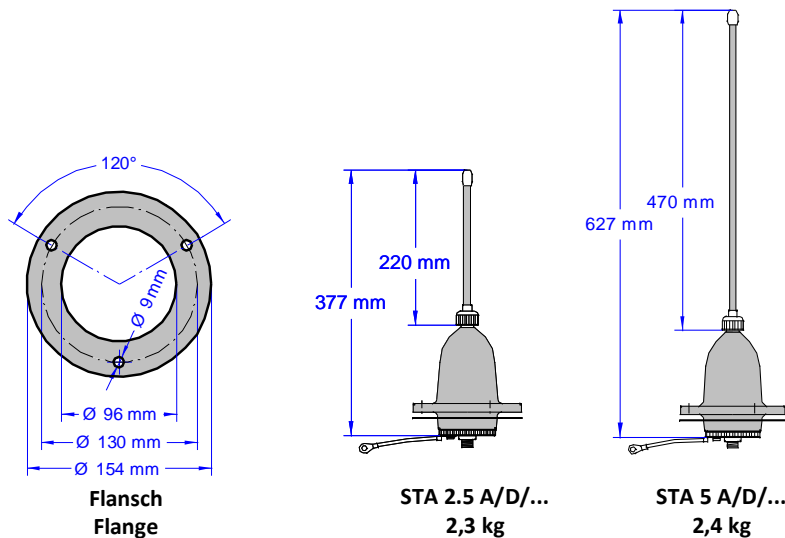
(1) The technical data refer to a 50 cm long antenna vertically mounted on conductive ground plane.
For calculation of other mounting heights refer to document AN1

Design and specification are subject to change without prior notice, errors excepted.
Data given without tolerance are typical values.

Scope of Supply

Pos.	Description
1	Active Receiving Rod Antenna STA .. A/D/0.01-0.6
2	Accessory Set ZS 15
3	USB stick with product documentation in pdf format

Dimensions and Weight



Accessories

Type Designation	Part No.	Description
ZS 15	0028.3715.00	Accessory set consisting of <ul style="list-style-type: none"> - 1 ea. N male plug Part No. ST.0015 - 1 ea. Rubber sleeve for N plug black Part No. A.0047 - 1 ea. Flat Gasket 7 Part No. 0002.2101.04 NSN 5330-12-320-9989

Variants and Order Information

Type Designation	Part No. NSN	Description
STA 5 A/D/0.01-0.6	0005.8963.00	50 cm rod, color RAL 7035
STA 2.5 A/D/0.01-0.6	0005.8975.00	25 cm rod, color RAL 7035
STA 10 A/D/0.01-0.6	0005.8990.00	100 cm rod, color RAL 7035
STA 10 A/D/L/0.01-0.6/RAL7000	0005.8999.07	100 cm rod, color RAL 7000

Other variants are available on request.

Options

Option	Part No. NSN	Description
RAL Color Code	depends on RAL color code	Painting in RAL color according to customer specification
AE ME	0005.5805.00	Reconfigure antenna frequency range to 0.01 – 30 MHz by replacement of active element to AE ME Configuration to STA .. A/D/0.01-30 Doc. FIG 010103
AE MD	0005.5804.00	Reconfigure antenna frequency range to 0.01 – 100 MHz by replacement of active element to AE MD Configuration to STA .. A/D/0.01-100 Doc. FIG 010104
AE MB1	0005.5826.00	Reconfigure antenna frequency range to 1.6 – 30 MHz by replacement of active element to AE MB1 Configuration to STA .. A/D/1.6-30 Doc. FIG 010108
AE ME4	0005.5827.00	Reconfigure antenna frequency range to 0.01 – 1.6 MHz by replacement of active element to AE ME4 Configuration to STA .. A/D/0.01-1.6 Doc. FIG 010106

Other or customer specific options are available on request.

Spare Parts

Applicable for the following types of active antennas:

- **STA 5 A/D/0.01-0.6**
- **STA 2.5 A/D/0.01-0.6**

No.	Designation Type	Part-Number NSN	Max. Qty. (a)	MTBF/hrs MTTR/hrs	Dimensions/mm Weight/kg (b)	Qty (c) Qty (d)	Remark
1	Insulator ISO A1	0005.4201.00 5970-12-320-6145	1	130.000 -	160x150 1,00	- -	
2	Flat Gasket 7	D.0052 5330-12-320-9989	1	- -	160x3 0,20	1 1	
3	Antenna Rod STA 2.5	0005.4206.00 5985-12-320-5342	1	130.000 -	32x220 0,15	1 1	applicable for STA 2.5 A/D/..
3a	Antenna Rod STA 5	0005.4204.00 5985-12-320-5341	1	130.000 -	32x470 0,20	1 1	applicable for STA 5 A/D/..
3b	Antenna Rod STA 10	0005.4202.00 5985-12-314-0516	1	130.000 -	32x970 0,30	1 1	applicable for STA 10 A/D/..
4	Active Element AE MS4	0005.5822.00 5985-12-334-6141	1	80.000 1,0	80x130 0,75	1 1	
5	O-Ring 69x3 mm	A.0254 5331-12-331-7313	1	- -	69x3 -	1 1	
6	Test Adapter TA 1/5	0014.xxxx.00		- -	170x70 0,80		applicable for test purposes
7	Manual STA .. A/D/0.01-0.6	058963		- -	DIN A4 -		

- (a) Maximum quantity per equipment
 (b) Dimensions and weight are without packing
 (c) Recommended quantity per equipment for 90 days on board
 (d) Recommended quantity per equipment for 3 years depot

Note:

The spare part table is applicable for versions in standard colour (similar RAL7035).
 Spare parts (insulators, rods) in other colours are available.

Associated Products

For integration into the application environment associated products are available.

Type Designation	Part No. NSN	Description
AAN 110	2061.0110.00	<p>19-inch 1 HU Remote Power Supply Unit Frequency range 0.01 – 100 MHz</p> <p>The AAN 110 provides 1 remote power feeding port and 1 receiver port, typically used with 1 active monopole antenna STA or 1 active dipole antenna HD 1 A.</p> <p>AAN 110 replaces AAN 10/B (0008.7424.00) Concerning 19-inch rack installation the AAN 110 requires 1 HU rack space instead of 3 HU required by AAN 10/B.</p> <p>Doc. PIG 010620</p>
AAN 120	2061.0120.00	<p>19-inch 1 HU Remote Power Supply Unit Frequency range 0.01 – 100 MHz</p> <p>The AAN 120 provides 2 remote power feeding ports and 2 receiver ports, typically used with 2 active monopole antennas STA or 2 active dipole antennas HD 1 A or 1 active dipole antenna HD 2 A.</p> <p>Doc. PIG 010620</p>
AAN 130	2061.0130.00	<p>19-inch 1 HU Remote Power Supply Unit Frequency range 0.01 – 100 MHz</p> <p>The AAN 130 provides 3 remote power feeding ports and 3 receiver ports, typically used with 3 active monopole antennas STA or 2 active dipole antennas HD 1 A or 1 active dipole antenna HD 2 A or 1 active combination antenna HD 2 A + STA ...</p> <p>AAN 130 replaces AAN 30/B (0008.7427.00) Concerning 19-inch rack installation the AAN 130 requires 1 HU rack space instead of 3 HU required by AAN 30/B.</p> <p>Doc. PIG 010620</p>
AAN 140	2061.0140.00	<p>19-inch 1 HU Remote Power Supply Unit Frequency range 0.01 – 100 MHz</p> <p>The AAN 140 provides 4 remote power feeding ports and 4 receiver ports, typically used with 4 active monopole antennas STA or 2 active dipole antennas HD 1 A or 1 active dipole antenna HD 2 A or 1 active combination antenna HD 2 A + STA ...</p> <p>Doc. PIG 010620</p>

Associated Products (continued)

Type Designation	Part No. NSN	Description
EAH 1	0007.2800.00	Adapter for mounting a monopole antenna on a pipe with external diameter of 2" (60,3 mm) Doc. PIG 010501
TR 10/E1	0007.3411.00	2" supporting pipe 1 m high, aluminum, RAL 7035 (EAH 1 required) with EAH 1 the distance from ground to antenna base is 1 m Doc. PIG 010502
RF Coaxial Cable	2078.xxxx.00 ---	Assembled ready-made coaxial cable according to customer specification. Type of connectors and type of cable to be specified by customer.
TA 1/10	0014.0200.00 6625-12-373-2794	Test adapter for active elements of AE M series Frequency range 0.01 – 100 MHz integrated load represents 100 cm rod
TA 1/20	0014.0400.00	Test adapter for active elements of AE M series Frequency range 0.01 – 100 MHz integrated load represents 200 cm rod
TA 1/5	0014.0500.00	Test adapter for active elements of AE M series Frequency range 0.01 – 100 MHz integrated load represents 50 cm rod
TA 1/2.5	2060.0200.02	Test adapter for active elements of AE M series Frequency range 0.01 – 100 MHz integrated load represents 25 cm rod

Compatible Distribution Systems

The following distribution systems match ideally to be fed from the STA series.

Type Designation	Part No.	Description
AVA Series	depends on AVA configuration	<p>Antenna Distributor AVA series for the non-blocking switching and distribution of active and passive antenna signals for up to 20 receiver outputs.</p> <p>Frequency range 0.01 – 30 MHz</p> <p>A separate remote power supply is not needed. The aas.tech active antennas can be directly fed from an AVA series distributor.</p> <p>Doc. PIG 020156</p>
AVS 2G Series	depends on AVS 2G configuration	<p>Antenna Distribution System AVS 2G series for the non-blocking switching and distribution of active and passive antenna signals for more than 20 receiver outputs</p> <p>Frequency range A: 0.01 – 30 MHz Frequency range B: 1.5 – 30 MHz</p> <p>Depending on the number of connected active antennas a separate remote power supply is needed.</p> <p>Doc. PIG 020601</p>
AMC A Series	depends on AMC configuration	<p>Antenna Distributor AMC series for the distribution of the antenna signal to up to 16 receiver outputs</p> <p>Frequency range 0.01 – 30 MHz</p> <p>A separate remote power supply is not needed. The aas.tech active antennas can be directly fed from an AMC A series distributor.</p> <p>Doc. PIG 020801</p>